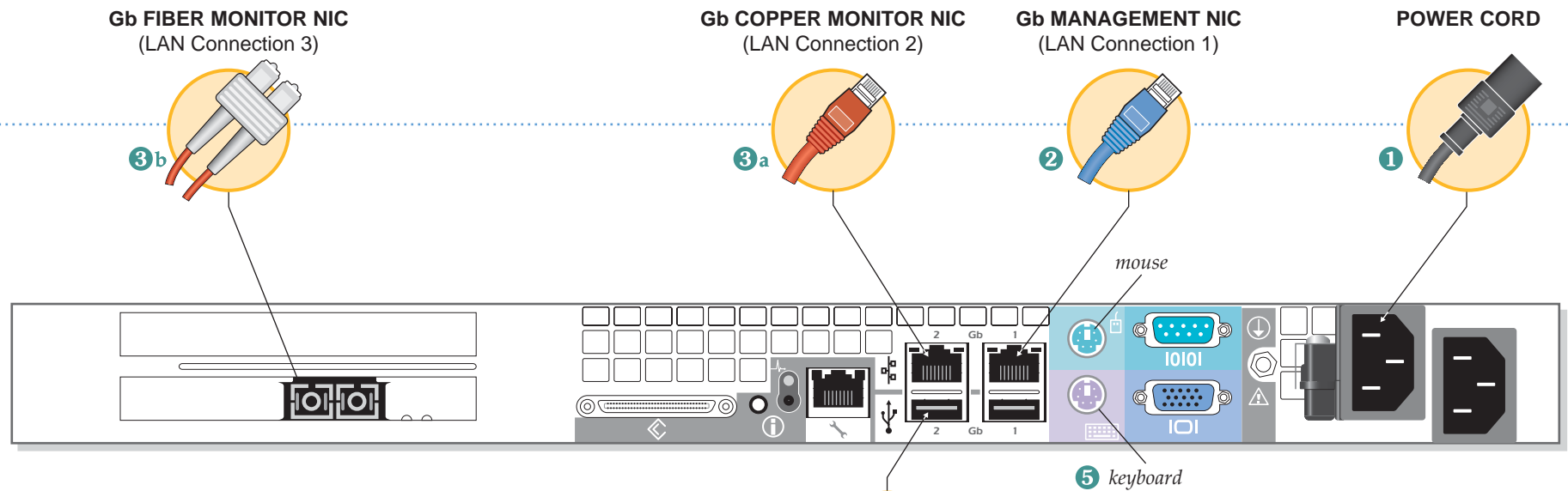


SUPERAGENT 3.0 INSTALLATION



- 1 Plug in power cord
- 2 Insert management cable into the Management NIC
- 3 Insert (a) copper monitor cable into the Copper Monitor NIC, or (b) fiber optic monitor cable into the Fiber Monitor NIC
- 4 Insert HASP (software key) into any USB port
- 5 Your configuration may require you to connect a mouse and a keyboard

NOTE: *The Monitor NIC collects network traffic from a spanned port.*

The Management NIC provides access to the SuperAgent server and allows remote viewing of the SuperAgent console.

